



2202 2nd Ave. Regina, SK S4R 1K3 PH: (306)798-7112 Toll Free: (866)530-8599 FAX: (306)787-9273 Toll Free: (866)760-9255 Email: boilerpermits@tsask.ca Website: www.tsask.ca

Statutory Declaration (Registration of Fittings)

TSK-1008

I. Declaration Information

I, Joel Feldman, Vice President, Engineering (company title, e.g. vice president, plant manager, chief engineer) (must be in a position of authority in the manufacturing plant where the fitting is produced) of: Swagelok Company (name of manufacturer)



located at: Headquarters: 29500 Solon Road Solon, Ohio 44139 USA (Plant Address - Apt/Street) (City,Prov) (Postal Code)

do solemnly declare that the fittings listed hereinunder, which are subject to the Saskatchewan Boiler and Pressure Vessel Safety Act (check one)

- Comply with the requirements of ASME B31.3 Chap. IX which specifies the dimensions, Materials of construction, pressure / temperature ratings and identification marking of the fittings, or Are not covered by the provisions of a recognized North American standard and are therefore manufactured to comply with as supported by the attached data which identifies the dimensions, materials of construction, pressure / temperature ratings and the basis for such ratings, and the marking of the fittings for identification.

I further declare that the manufacturer of these fittings is controlled by a quality control program which has been verified by the following authority, BSI as being suitable for the manufacturer of these fittings to the stated standard. The fittings covered by this declaration, for which I seek registration, are Category C. Valve

In support of this application, the following information, calculations and / or test data are attached: ISO 9001:2015 Certificate, Attachment A, Attachment B, Catalog Information and other Support Documents

II. Declaration

DECLARED before me at this day of Unable to get a notary signature or seal due to COVID-19 situation (print name) (Signature of Commissioner of Oaths)

DocuSigned by: [Signature] 3/2/2022 | 8:53 AM EST C87CBBFFD3F14B7...

III. Office Use Only

To the best of my knowledge and belief, the application meets the requirements of the Boiler and Pressure Vessel Safety Act and CSA B51, Clause 4.2, and is accepted for registration in Category

Technical Safety Authority of Saskatchewan Registration No. 0C15674.53 File No. 13399 Registered Date: December 16, 2022 Expiry Date: June 14, 2032 Codes & Standards Compliance Office

(Date Registered - MM DD YYYY) (Expiry Date - MM DD YYYY) (For the Administrator / Chief Inspector)

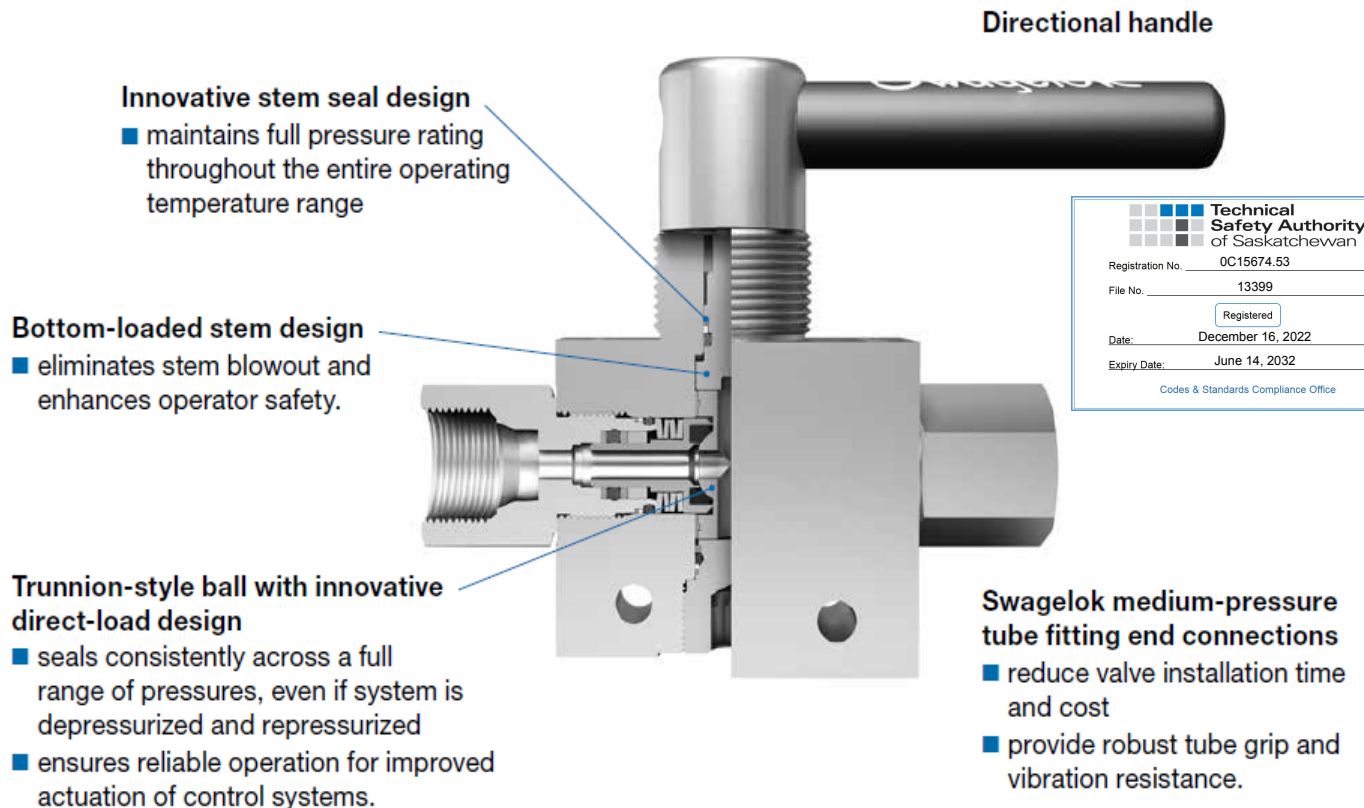
Attachment B. Scope of CRN Registration for Swagelok FKB Series Medium Pressure Ball Valves (Category C)

This document represents the scope of the FKB Series Medium Pressure Ball Valves, covered by this submission for CRN approval. These products were designed and evaluated in accordance with ASME B31.3-2020 Chapter IX for unlisted components.

Summary Table

Product Series	Main Pressure Bearing Component	Main Pressure Bearing Material (Standard)	Port Connections and Sizes	Maximum Rated Pressure (psig)		Design Code of Construction
				At 0 to 100°F	At maximum temperature	
6FKB (2-way) and (3-way)	Body	316 SS (ASTM A479)	Medium Pressure Tube Fitting 1/4", 3/8", 1/2" Female NPT 1/4", 3/8", 1/2"	15,000	15,000 at 250°F	ASME B31.3, Chapter IX (Unlisted Components)
8FKB (2-way) and (3-way)	Body	316 SS (ASTM A479)	Medium Pressure Tube Fitting 1/2", 9/16" Female NPT 1/2"	15,000	15,000 at 250°F	
12FKB (2-way)	Body	316 SS (ASTM A479)	Medium Pressure Tube Fitting 3/4"	15,000	15,000 at 250°F	
			Female NPT 3/4"	10,000	10,000 at 250°F	

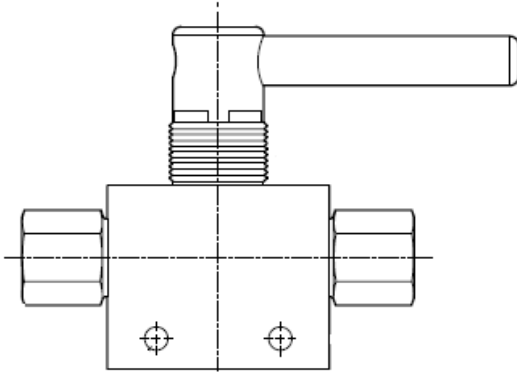
Product Illustration



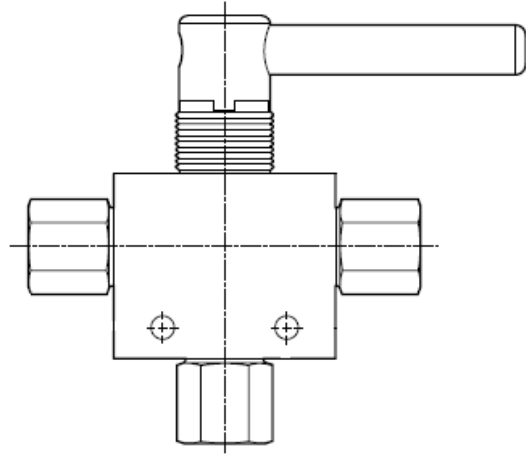
Configurations

Valves are available in 2-way and 3-way pattern, and either manually or pneumatically actuated.

2-Way (On-Off) Valve



3-Way (Switching) Valve



Typical Product Characteristics:

Some of the product options listed below affect pressure and/or temperature ratings shown in the above Summary Table, but in all cases the ratings are less than those shown in the table. All of the following options are within the scope of this approval.

O-ring Stem Seal Options

HNBR Nitrile
Perfluorocarbon FFKM

Additional options and non-pressure boundary alterations that do not affect pressure-temperature ratings may be made available within the scope of this registration. Examples of these would include handle options, actuator options, etc.

Quality System

The Swagelok Company quality system complies with the requirements of ISO 9001:2015. The Swagelok Company maintains BSI Certificate of Registration Number FM 01729, which applies to all locations listed on the Certificate.

References

The product catalog below does not represent the full scope of the registration but rather details some of the most common options.

- Medium- and High-Pressure Fittings, Tubing, Valves, and Accessories Product Catalog MS-02-472 Rev R